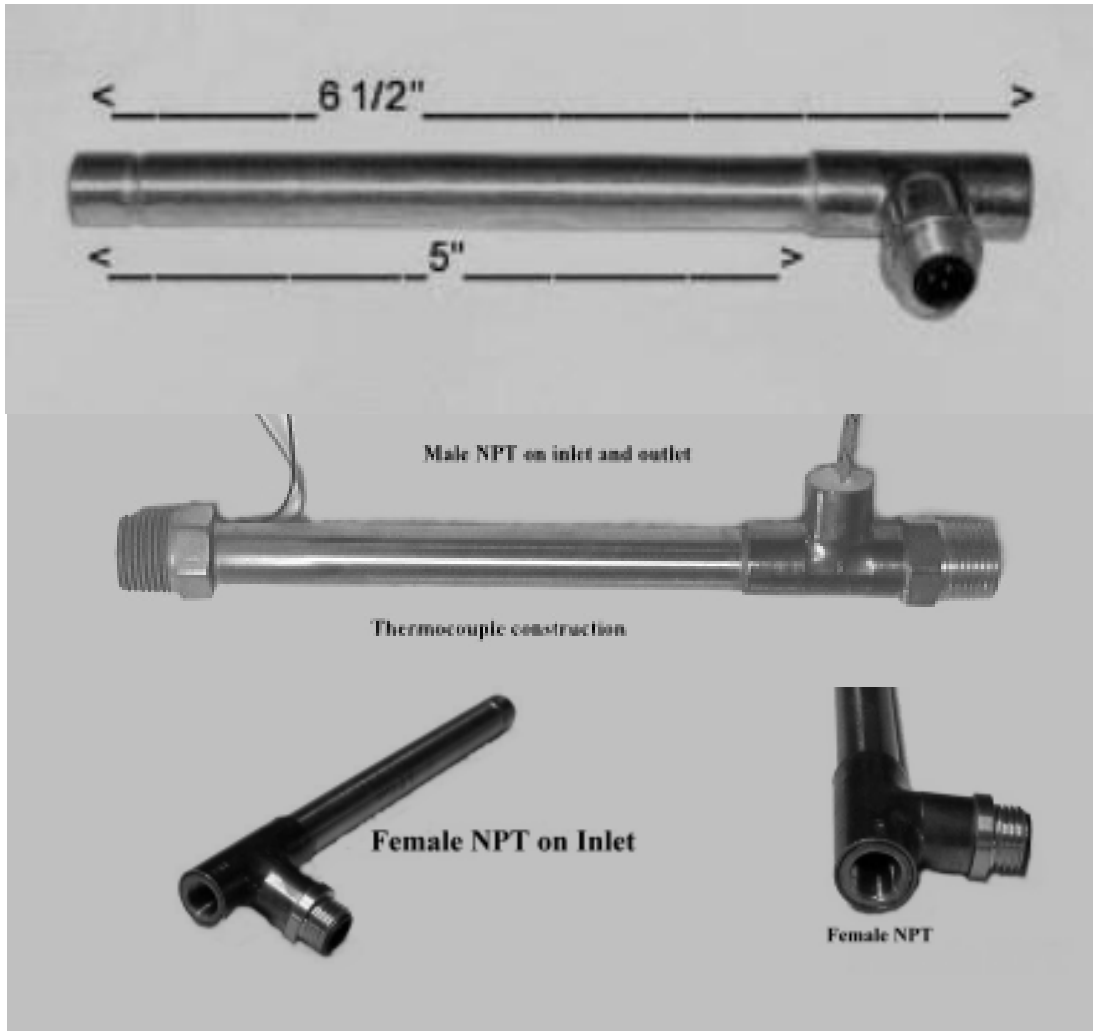


AIR HEATERS



CONSTRUCTION

- STAINLESS STEEL SHEATH
- 36"FG LEADS
- EPOXY SEAL
- COPPER TEE

OPTIONS

- 1/8"NPT-FEMALE FITTING
- 3/8"NPT-MALE FITTING
- THERMOCOUPLE

SPECIFICATIONS

- MAX 10AMPS
- MAX 10CFM
- CLEAN AIR ONLY

STOCK HEATERS

<u>Volts</u>	<u>Watts</u>	<u>Min CFM</u>
120	400	4
240	400	4
120	600	5.5
240	600	5.5