



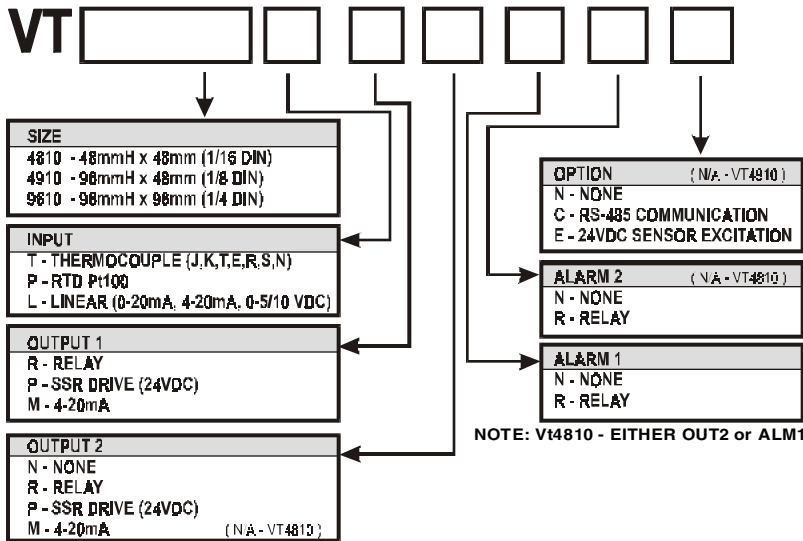
STANDARD

- DUAL DISPLAY
- PID AUTOTUNE
- RAMP-TO-SETPOINT
- AUTO / MANUAL
- 15 SECURITY OPTIONS
- INPUT - Thermocouple,RTD,4-20mA

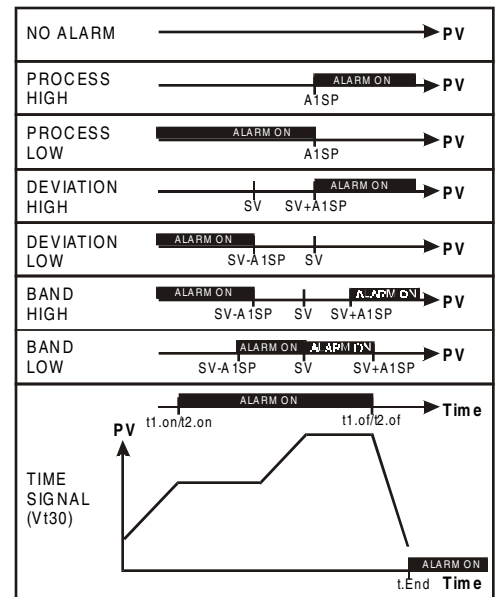
OPTIONS

- DUAL OUTPUT
- ALARMS - 15 TYPES
- 24VDC EXCITATION
- RS485 COMMUNICATIONS

MODEL CODE



ALARM TYPES



SPECIFICATIONS - VT10, VT20, VT30

1. INPUT

Thermocouple J, K, T, E, B, R, S, N (IPTS68/DIN 43710)
 RTD Pt100 ohms RTD (DIN 43760/BS 1904 or JIS)
 Linear Voltage (current) -10 to 60 mV configurable with input attenuation
 Range User configurable
 Accuracy +/-2C for T/C, _+0.2C for RTD, _+0.05% for
 Linear input.
 Cold Junction Comp 0.1% ambient typical.
 Input Impedance 10M ohms for T/C, 100K ohms for Linear Voltage,
 2.7 Ohms for 0 (4)- 20 mA/
 Excitation Current for RTD 0.2mA Max.
 Sample Rate VT10 - 250mS, VT20 - 200mS, VT30 - 200mS

2. CONTROL

Proportional Band 0.0-100.0%
 Rest (Integral) 0-3600 Sec.
 Rate (Derivative) 0-3600 Sec.
 Anti Rest Windup Inhibit integral action outside Proportion Band
 Ramp Rate 0.0-100.0C / minute.
 Dwell minutes.
 On-Off With adjustable hysteresis
 Cycle Time 0-99 seconds.
 Control Action Configurable for Direct (cooling) or Rev (Heating)

3. OUTPUT

Relay 5A/240VAC resistive.
 Pulsed Voltage Isolated 24 VDC 100mA Max.
 Current Isolated 0 (4) - 20 mA Max load 500 ohms.
 Linear Volts 1-5, 0-5, 0-10VDC. MAX 100mA
 Alarm Relay output, (SPST) 10A/240VAC resistive.

4. POWER

Rating 85 - 265 VAC 50/60Hz 5VA max

5. ENVIRONMENTAL

Operating Temp -10 - 50C
 Humidity 0- 90%
 Insulation 20M ohms minimum @ 500VDC

6. PHYSICAL DIMENSIONS

VT48 48mmW x 48mmH x 100mmD
 VT49 96mmW x 48mmH x 80mmD
 VT96 96mmW x 48mmH x 80mmD



STANDARD

- PID AUTOTUNE
- 6 SECURITY OPTIONS
- PROGRAMMABLE
- T/C, RTD or LINEAR INPUT
- 2 CONFIGURABLE ALARMS
- LATCH or NO LATCH ALARM
- AUTO / MANUAL

OPTIONS

- SECOND SETPOINT
- 24VDC EXCITATION
- Rs485 COMMUNICATION

VT30 - RAMP/PROFILE CONTROL



PTN1 PTN2 1 2 3 4 5 6 7 8
PATTERN INDICATORS

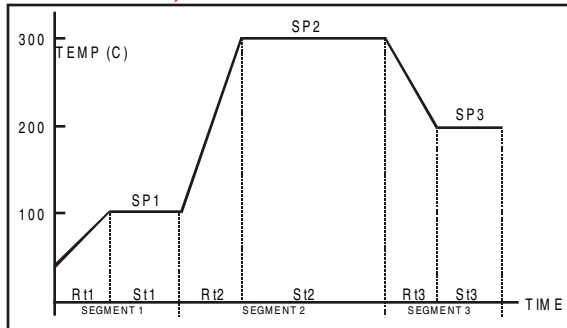
STANDARD

- 2 PROGRAM, 32 SEGMENTS TOTAL
- RAMPING PROFILE
- PID AUTOTUNE
- 6 SECURITY OPTIONS
- PROGRAMMABLE
- T/C, RTD or LINEAR INPUT
- 2 CONFIG ALARMS LATCH/NOLATCH
- TIME SIGNAL, PROGRAM END ALARM
- AUTO / MANUAL

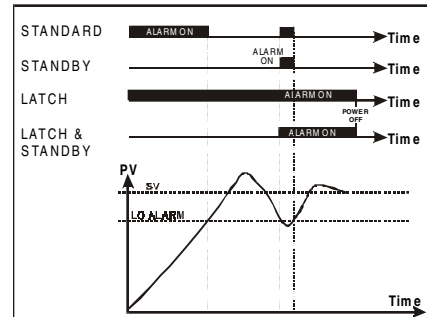
OPTIONS

- SECOND SETPOINT
- 24VDC EXCITATION
- Rs485 COMMUNICATION

2 PROGRAM, 32 SEGMENT RAMP/PROFILE



STANDBY & LATCH ALARMS



MODEL CODE

VT A B C D E F G H

SIZE	4820/30 - 48mmH x 46mm (1/16 DIN) 4920/30 - 96mmH x 46mm (1/8 DIN) 9620/30 - 96mmH x 96mm (1/4 DIN)	
INPUT	T - THERMOCOUPLE (J,K,T,E,R,S,N) P - RTD Pt100 L - LINEAR (0-20mA, 4-20mA, 0-5/10 VDC)	
OUT 1	R - RELAY P - SSR DRIVE (24VDC) M - 4-20mA	
OUT 2	N - NONE R - RELAY P - SSR DRIVE (24VDC) M - 4-20mA	
	eg. I-800F J	SCALE
	N - NONE C - RS-485 COMMUNICATION E - 24VDC SENSOR EXCITATION S - REMOTE SETPOINT (4-20mA)	OPTION
	N - NONE R - RELAY	AL 2
	N - NONE R - RELAY	AL 1