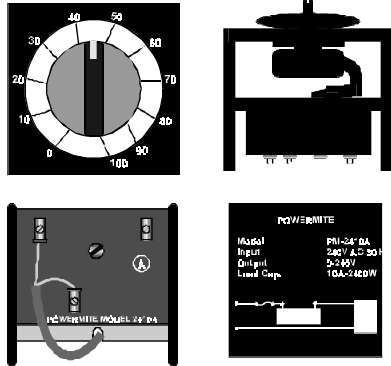


POWER CONTROLLERS



DOOR MOUNT

FEATURES

- COMPACT 2.5" CUBE
- EASY TO INSTALL & WIRE
- BUILT IN FUSING
- LOW COST

APPLICATIONS :

BAND HEATERS , SPEED CONTROLLER

PART#	LOAD
MPM-1210	120V, 10A
MPM-2410	240V,10A



SELF CONTAINED

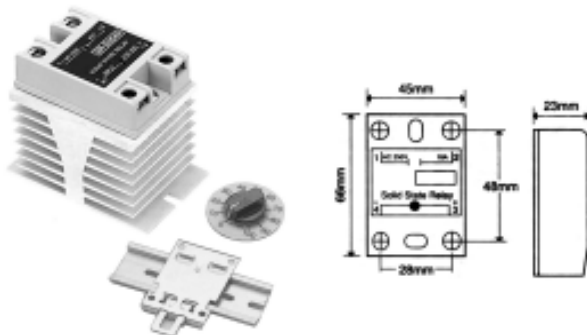
FEATURES

- COMPACT 6"x4"Wx3"D
- EASY TO INSTALL & WIRE
- BUILT IN FUSING
- ON/OFF SWITCH
- LED OUTPUT INDICATOR
- LOW COST

APPLICATIONS :

BAND HEATERS , SPEED CONTROLLER

PART#	LOAD
MPM-1210S	120V, 10A
MPM-2410S	240V,10A



SUB PANEL MOUNT

FEATURES

- COMPACT 3"x2"Wx2"D
- EASY TO INSTALL & WIRE
- WITH DOOR MOUNT POT & 0-100% SCALE
- LOW COST

APPLICATIONS :

BAND HEATERS , SPEED CONTROLLER

PART#	LOAD
SR-1240	120V, 40A (req. Heatsink above 10A)
SR-2540	240V,40A (req. Heatsink above 10A)
SR-40HS	STANDARD HEATSINK
SR-40HDIN	DIN RAIL HEATSINK