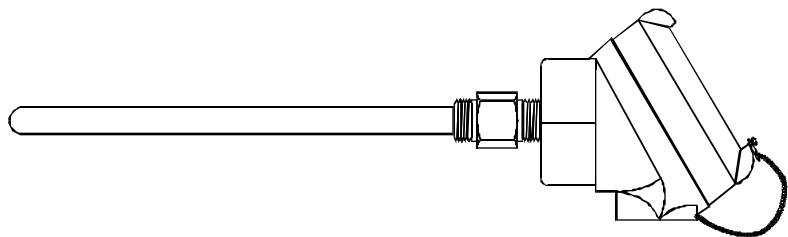
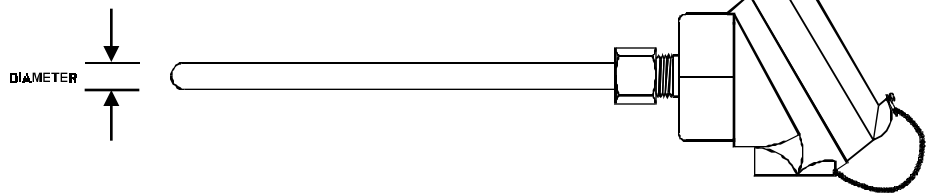
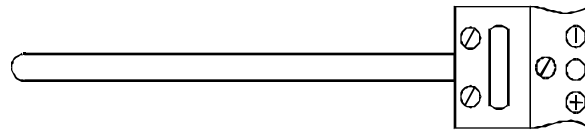
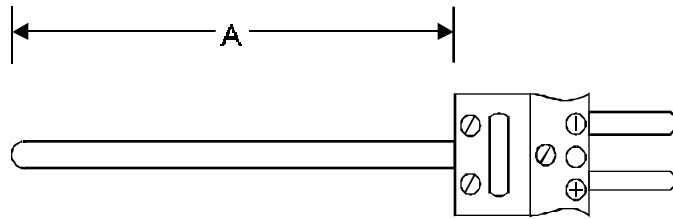
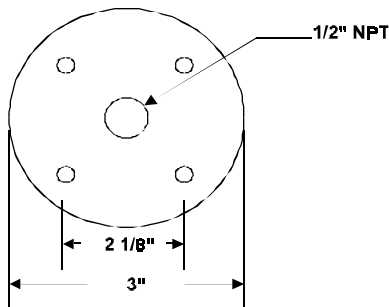


MgO INSULATED THERMOCOUPLE & RTD'S RIGID STYLE



FLANGE MOUNT



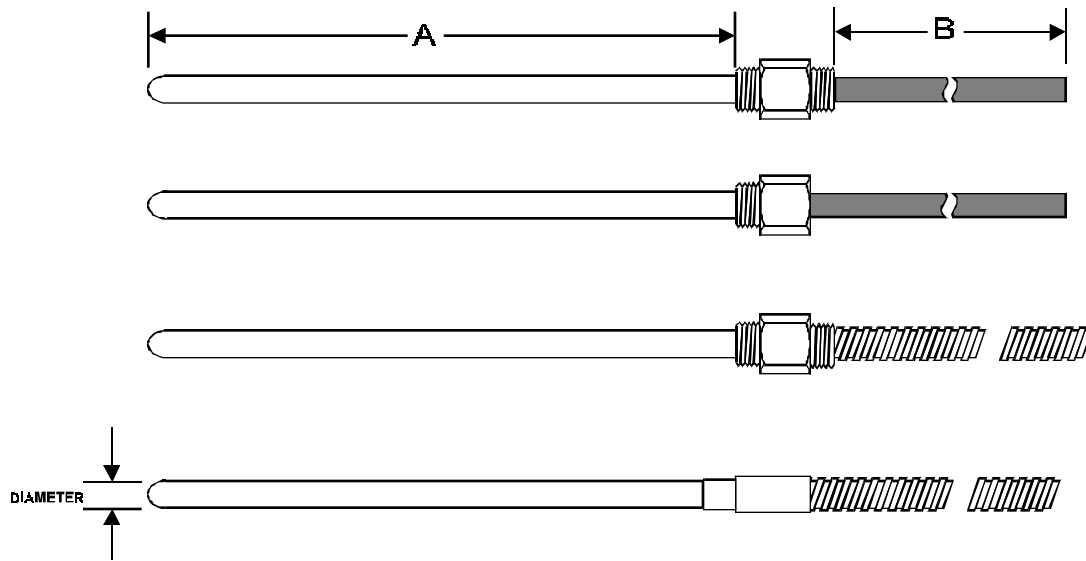
304 STAINLESS STEEL STANDARD

HOW TO ORDER

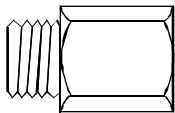
A5100

SENSOR	A	DIAMETER	JUNCTION	TERMINATION	PROCESS CONNECT	OPTIONS
J		1/16"	E-EXPOSED	P-MALE PLUG	N-NONE	S-SPRING LOADED
JJ-DUPLEX		1/8"	G-GROUNDED	F-FEMALE JACK	B2 -1/2" NPT BRASS	T-TRANSMITTER (RANGE)
K		3/16"	U-UNGROUNDDED	I-CAST IRON	S2 -1/2" NPT STEEL	1800-INCONEL 800
KK-DUPLEX		1/4"	3-3-WIRE	AL-LG CAST AL	SS2-1/2" NPT STAINLESS	1800-INCOLOY 800
T		5/16"	4-4-WIRE	AS-SM CAST AL	B4 -1/4" NPT BRASS	316 -316 SS
TT-DUPLEX		3/8"		PL-PLASTIC	S4 -1/4" NPT STEEL	N -NO TERM BLOCK
RTD(200°C)				ALE-CAST ALUMINIUM	SS4-1/4" NPT STAINLESS	TRANSMITTER READY
RTDD-DUPLEX(200°C)				EXPLOSION	FL - FLANGE MOUNT	C -NIST TRACEABLE
SPECIAL				FDA-FDA COMPLAINT		
RT4(400°C)				PLASTIC		
RT44 DUPLEX (400°C)				E-EPOXY COATED		
				ALUMINIUM		
				FDAF-FDA COMPLAINT		
				FLIP TOP		

MgO INSULATED THERMOCOUPLE & RTD'S - EXTENSION STYLE

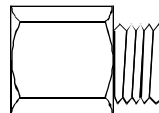


**304 STAINLESS STEEL STANDARD
STANDARD POTTING - 350F**



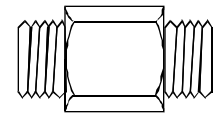
HEX BUSHING - PROCESS THREAD

SD1	-	1/8"NPT	STAINLESS
SD2	-	1/4"	STAINLESS
SD3	-	1/2"	STAINLESS
SD4	-	3/4"	STAINLESS
BD1	-	1/8"NPT	BRASS
BD2	-	1/4"	BRASS
BD3	-	1/2"	BRASS
BD4	-	3/4"	BRASS



HEX BUSHING - INSTRUMENT THREAD

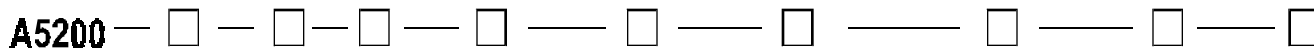
SB1	-	1/8"NPT	STAINLESS
SB2	-	1/4"	STAINLESS
SB3	-	1/2"	STAINLESS
SB4	-	3/4"	STAINLESS
BB1	-	1/8"NPT	BRASS
BB2	-	1/4"	BRASS
BB3	-	1/2"	BRASS
BB4	-	3/4"	BRASS



HEX COUPLING

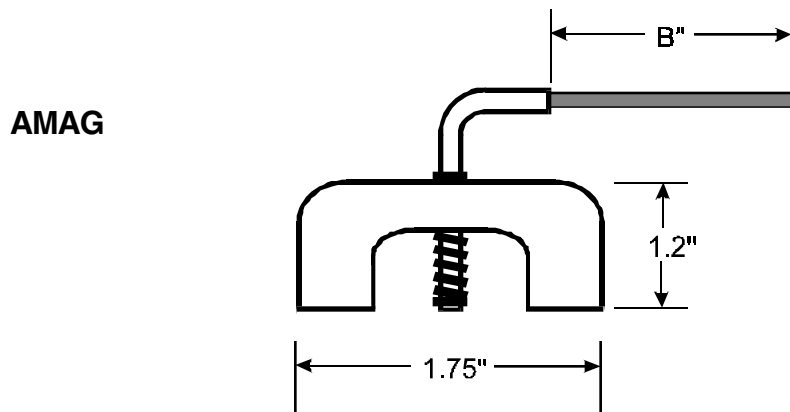
SS1	-	1/4"	STAINLESS
SS2	-	1/2"	STAINLESS
S1	-	1/4"	STEEL
S2	-	1/2"	STEEL

HOW TO ORDER

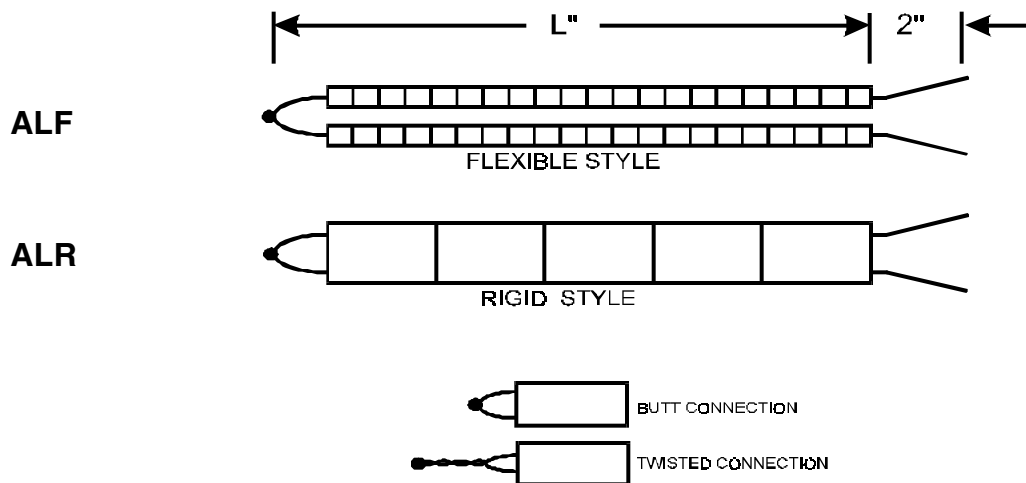


SENSOR	A	DIAMETER	JUNCTION	B(in.)	WIRE	TERMINATION	FITTING	OPTIONS
J		1/18"	E-EXPOSED		GB-FIBERGLASS	P-MALE PLUG	N - NONE	1800-INCONEL 800
JJ-DUPLEX		1/8"	G-GROUNDED		SB-STAINLESS BRAID OVER FIBERGLASS	F-FEMALE JACK	SEE ABOVE	1800-INCOLOY 800
K		3/16"	U-UNGROUND		FH-FLEX HOSE	MP-MINI PLUG		316-316 SS
KK-DUPLEX		1/4"	3-3-WIRE		TT-TEFLON STRANDED	MF-MINI JACK		C-NIST CERTIFIED
T		5/16"	4-4-WIRE		P-PVC SOLID	SL-SPADE LUGS		H-1500F CERAMIC
TT-DUPLEX		3/8"			PS-PVC STRANDED	ST-STRIP LEADS		POTTING
RTD(200°C)								NM-NON MI DESIGN
RTDD-DUPLEX(200°C)								
SPECIAL								
RT4(400°C)								
RT44 DUPLEX (400°C)								

MAGNET STYLE THERMOCOUPLE



THERMOCOUPLE ELEMENTS



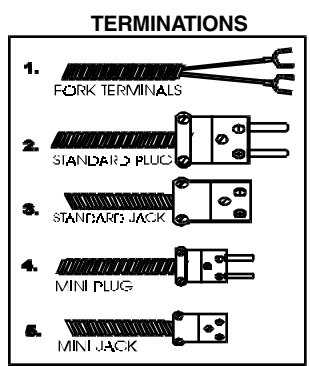
HOW TO ORDER

AMAG — [] — [] — [] — [] — []

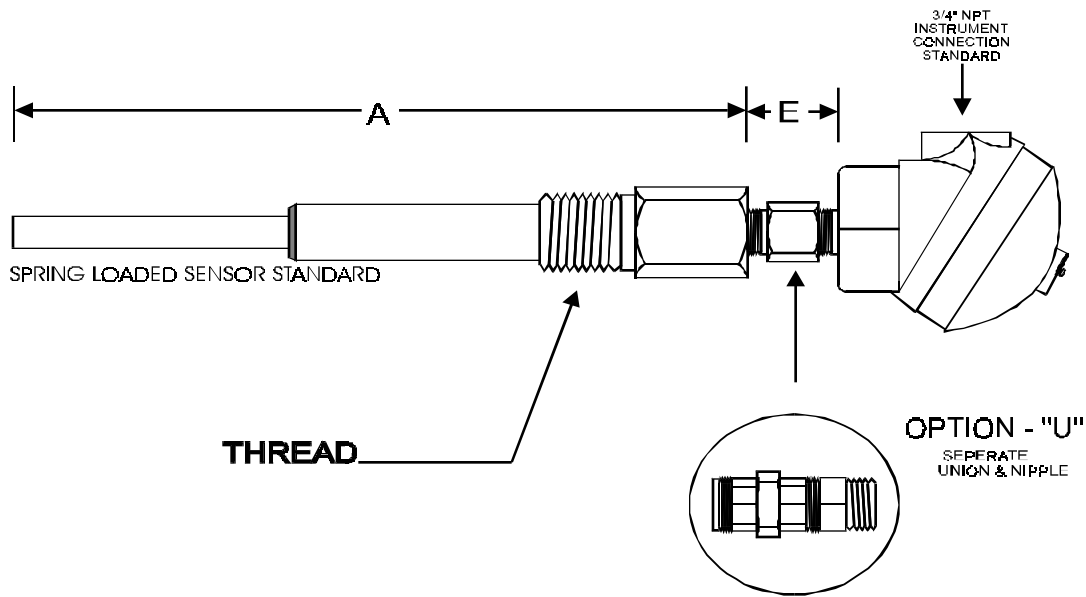
1 TYPE: J, K, T
 2 "B":
 3 LEADS: FS - FIBERGLASS STRANDED, B - STAINLESS BRAID, H - STAINLESS HOSE, P - PVC, PS - PVC STRANDED, TS - TEFLON STRANDED
 4 TERM: 1, 2, 3, 4, 5
 5 OPTIONS: 90 - 90degEXIT, MI - MgO STYLE

ALF ALR — [] — [] — [] — [] — []

1 TYPE: J, K, T, R, S
 2 GAUGE: 8, 14, 20, SPECIAL
 3 "L" in:
 4 CONNECTION: B - BUTT, T - TWIST
 5 SPECIAL: D - DUPLEX



THERMOCOUPLE & RTD ASSEMBLIES



STOCK THERMOWELLS

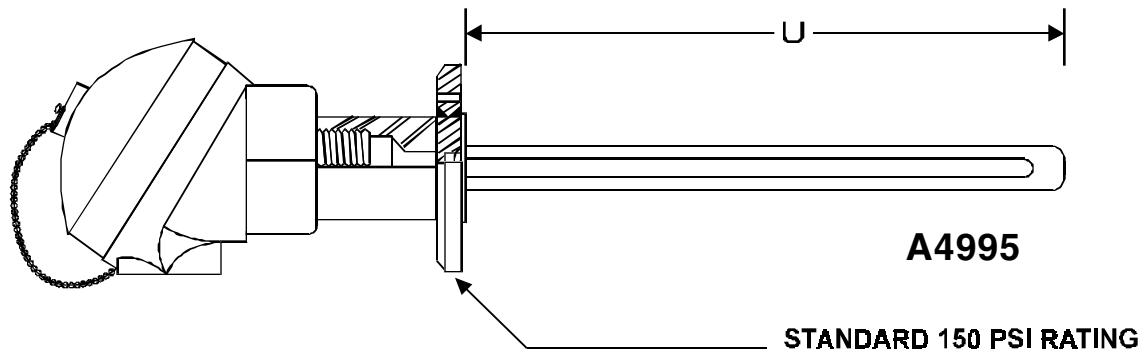
MATERIAL	STEM(A")	PROCESS (In.)
304 SS	2 1/2	1/2
304 SS	4	1/2
304 SS	6	1/2
304 SS	9	1/2
304 SS	4	3/4
304 SS	6	3/4
304 SS	7 1/2	3/4
304 SS	9	3/4
304 SS	12	3/4
316 SS	4	1/2
316 SS	6	1/2
316 SS	9	1/2
316 SS	6	3/4
316 SS	7 1/2	3/4
BRASS	4	1/2
BRASS	6	1/2
BRASS	8	1/2
BRASS	4	3/4
BRASS	6	3/4

HOW TO ORDER

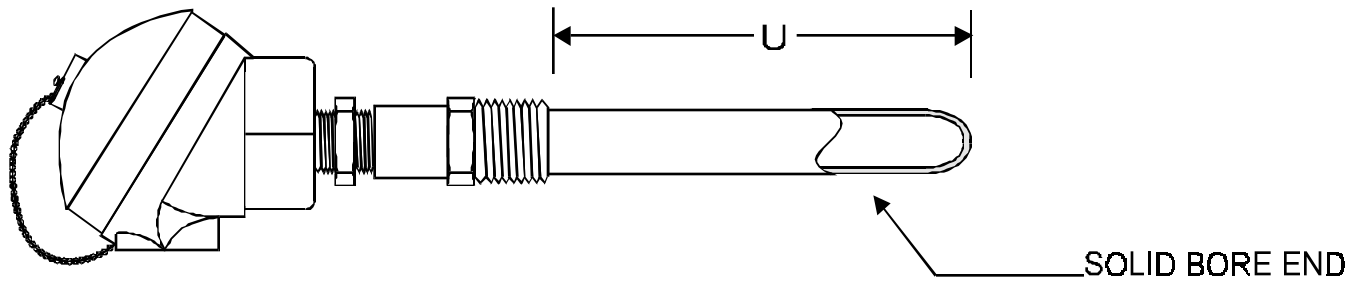
A4900 — □ — □ — □ — □ — □ — □ — □ — □

SENSOR	A (in.)	MATERIAL	E (in.)	THREAD	JUNCTION	HEAD MTRL	OPTIONS
J	4"	B-BRASS	1"-standard	1/2"	E-EXPOSED	I-CAST IRON	T-TRANSMITTER(RANGE)
JJ-DUPLEX	6"	S-304 SS	4"	3/4"	G-GROUNDED	AL-LG CAST ALM	U-SEPARATE UNION & NIPPLE
K	8"	S6-316 SS	6"	SPECIAL	U-UNGROUNDED	AS-SM CAST ALM	C-NIST TRACEABLE
KK-DUPLEX	10"	SPECIAL	8"		3-3-WIRE	PL-PLASTIC	N-NO TERM BLOCK
T	SPECIAL		10"		4-4-WIRE	AL-E-CAST ALUMINIUM	TRANSMITTER READY
TT-DUPLEX			SPECIAL			EXPLOSION	
RTD(200°C)						FDA-FDA COMPLAINT	
RTDD-DUPLEX(200°C)						PLASTIC	
SPECIAL						E-EPOXY COATED	
RT4(400°C)						ALUMINIUM	
RT44 DUPLEX (400°C)						FDAF-FDA COMPLAINT	
						FLIP TOP	

FLANGE THERMOWELL SENSOR ASSEMBLIES



PIPE WELL THERMOCOUPLE & RTD ASSEMBLIES

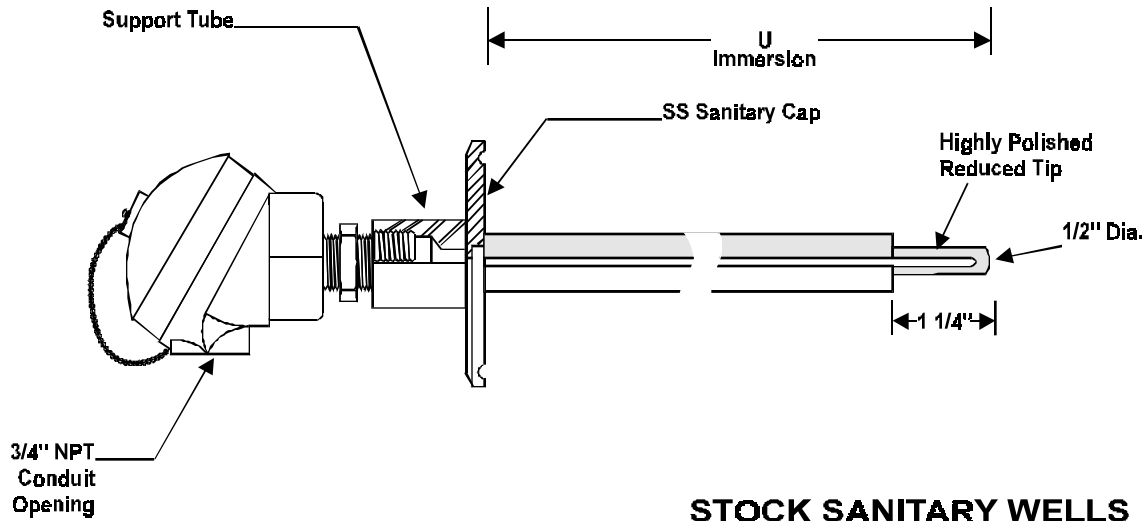


HOW TO ORDER

A4995
A4990

<input type="checkbox"/>	<input type="checkbox"/>	<input type="checkbox"/>	<input type="checkbox"/>	<input type="checkbox"/>	<input type="checkbox"/>	<input type="checkbox"/>
SENSOR	U(In.)	MATERIAL	THREAD/FLANGE	JUNCTION	HEAD MTRL	OPTIONS
J	4"	ST-STEEL	1/4"	G-GROUNDED	I-CAST IRON	T-TRANSMITTER(RANGE)
JJ-DUPLEX	6"	S-304 SS	1/2"	U-UNGROUND	AL-LG CAST ALM	S-SPRING LOADED
K	8"	S6-316 SS	3/4"	3-3-WIRE	AS-SM CAST ALM	U-SEPARATE UNION & NIPPLE
KK-DUPLEX	10"	1600-INCONEL 600	1.0"	4-4-WIRE	PL-PLASTIC HEAD	3-300 PSI FLANGE
T	SPECIAL	1800-INCOLOY 800	1.5F -1" FLANGE		ALE-CAST ALUMINIUM	6-600 PSI FLANGE
TT-DUPLEX		SPECIAL	2F - 2" FLANGE		EXPLOSION	C-NIST TRACEABLE
RTD(200°C)					FDA-FDA COMPLAINT	N-NO TERM BLOCK
RTDD-DUPLEX(200°C)					PLASTIC	TRANSMITTER READY
SPECIAL					E-EPOXY COATED	
RT4(400°C)					ALUMINIUM	
RT44 DUPLEX (400°C)					FDAF-FDA COMPLAINT	
					FLIP TOP	

SANITARY TRI-CLAMP ASSEMBLIES



STOCK SANITARY WELLS

MATERIAL	CAP SIZE (in.)	U(in.)
316 SS	1.5	2.5
316 SS	1.5	4.5
316 SS	1.5	6
316 SS	2	2.5
316 SS	2	4.5
316 SS	2	5
316 SS	2	6

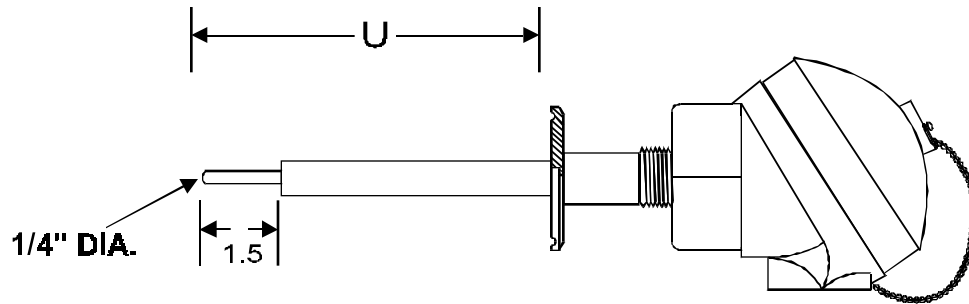
NOTE: Polished to a finish that exceeds 3-A Sanitary Council Standard #09-08 316 Stainless Steel Material

HOW TO ORDER

A4950 — — — — — — —

SENSOR	U(in.)	JUNCTION	HEAD MTRL	CAP SIZE	OPTIONS
J	2.5"	G-GROUNDED	I-CAST IRON	1.5"	T-TRANSMITTER(RANGE)
JJ-DUPLEX	4.5"	U-UNGROUND	AL-LG CAST ALM	2"	S-SPRING LOADED
K	6"	3-3-WIRE	AS-SM CAST ALM	3"	U-SEPARATE UNION & NIPPLE
KK-DUPLEX	SPECIAL	4-4-WIRE	PL-PLASTIC HEAD	4"	C-NIST TRACEABLE
T			AL-CAST ALUMINIUM		N-NO TERM BLOCK
TT-DUPLEX			EXPLOSION		TRANSMITTER READY
RTD(200°C)			FDA-FDA COMPLAINT		
RTDD-DUPLEX(200°C)			PLASTIC		
SPECIAL			E-EPOXY COATED		
RT4(400°C)			ALUMINIUM		
RT44 DUPLEX (400°C)			FDAF-FDA COMPLAINT		
			FLIP TOP		

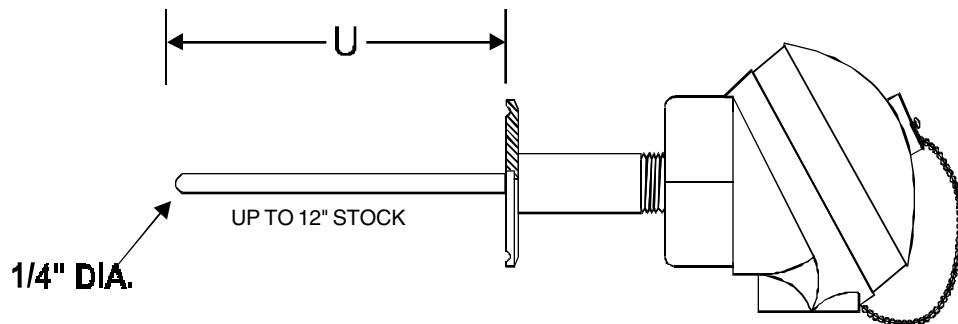
CIP SANITARY REDUCED TIP RTD'S



A4945

NOTE: Polished to a finish that exceeds 3-A Sanitary Council Standard #09-08 316SS Standard

CIP SANITARY CONNECTED RTD'S



A4940

NOTE: Polished to a finish that exceeds 3-A Sanitary Council Standard #09-08 316SS Standard

HOW TO ORDER

A4945
A4940

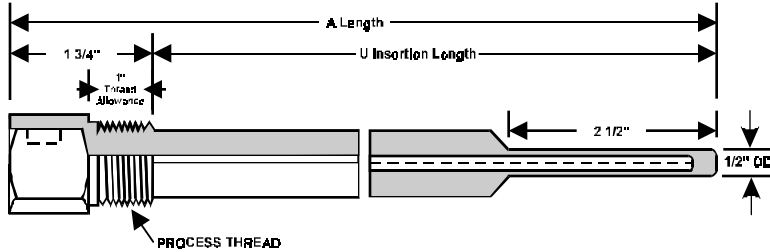
<input type="checkbox"/>	<input type="checkbox"/>	<input type="checkbox"/>	<input type="checkbox"/>	<input type="checkbox"/>	<input type="checkbox"/>	<input type="checkbox"/>
SENSOR	U(in.)	JUNCTION	HEAD MTRL	CAP SIZE	OPTIONS	
J	4"	G-GROUNDED	PL-PLASTIC HEAD	1.5"	T-TRANSMITTER(RANGE)	
JJ-DUPLEX	8"	U-UNGROUND	FDA-FDA COMPLAINT	2"	U-SEPARATE UNION	
K	8"	3-3-WIRE	PLASTIC	3"	& NIPPLE	
KK-DUPLEX	10"	4-4-WIRE	E-EPOXY COATED	4"	C-NIST TRACEABLE	
T	SPECIAL		ALUMINIUM		N-NO TERM BLOCK	
TT-DUPLEX			AL-LG CAST ALM		TRANSMITTER READY	
RTD(200°C)			FDAF-FDA COMPLAINT			
RTDD-DUPLEX(200°C)			FLIP TOP			
SPECIAL						
RT4(400°C)						
RT44 DUPLEX (400°C)						

DRILLED THERMOWELL - THREAD CONNECTION

T-SERIES

T — □ — □ — □ — □ — □

MATERIAL	STEM A (in.)	PROCESS CONNECT	INST. CONNECT
B-BRASS	2"	1/2-1/2" NPT	1/2-1/2" NPT
S-304 SS	4"	3/4-3/4" NPT	3/4-3/4" NPT
S6-316 SS	6"	1-1" NPT	SPECIAL
SPECIAL	7.5" 12" 15" 18"	SPECIAL	



STOCK DRILLED THERMOWELLS

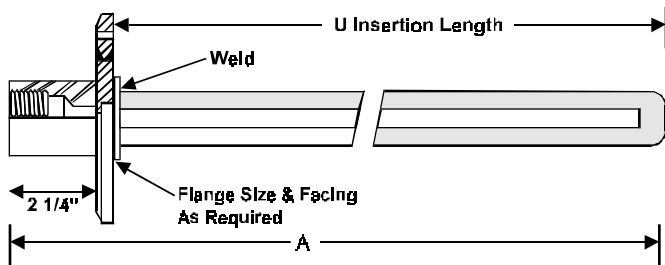
BRASS	304 SS	316 SS
TB-4-1/2-1/2	TS-2.5-1/2-1/2	TS-4-1/2-1/2
TB-4-3/4-1/2	TS-4-1/2-1/2	TS-6-1/2-1/2
TB-6-1/2-1/2	TS-4-3/4-1/2	TS-6-3/4-1/2
TB-6-3/4-1/2	TS-6-1/2-1/2	TS-7.5-3/4-1/2
TB-8-1/2-1/2	TS-6-3/4-1/2	TS-9-1/2-1/2
	TS-7.5-3/4-1/2	
	TS-9-1/2-1/2	
	TS-9-3/4-1/2	
	TS-12-3/4-1/2	

DRILLED THERMOWELL - FLANGED CONNECTION

TF-SERIES

TF — □ — □ — □ — □ — □

MATERIAL	STEM A (in.)	FLANGE	INST. CONNECT	PRESSURE RATING
S-304 SS	2"	1"	1/2"	150 psi
S6-316 SS	4"	1 1/2"	3/4"	300 psi
SPECIAL	6" 7.5" 2" 5" 8"	2"	1"	800 psi

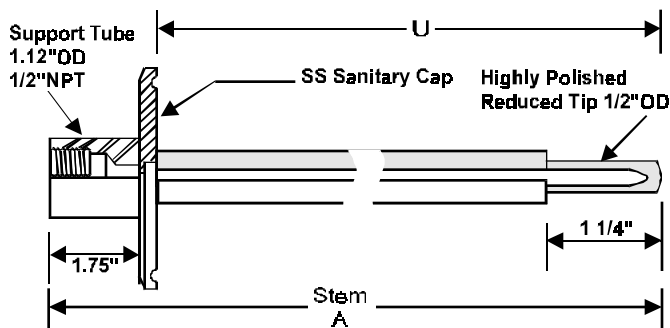


SANITARY TRI-CLAMP THERMOWELL

SAN-SERIES

SAN — □ — □ — □ — □

CAP SIZE	STEM LENGTH (A)
1.5"	4"
2"	6"
2.5"	7.5"
3"	SPECIAL
SPECIAL	



NOTE: Polished to a finish that exceeds 3-A Sanitary Council Standard #09-08 316SS Standard

STOCK SANITARY THERMOWELLS

PART#	CAP SIZE	STEM LENGTH (A)
SAN-1.5-2.5	1.5"	2.5"
SAN-1.5-4.5	1.5"	4.5"
SAN-1.5-6	1.5"	6"
SAN-2-2.5	2"	2.5"
SAN-2-4.5	2"	4.5"
SAN-2-5	2"	5"
SAN-2-6	2"	6"