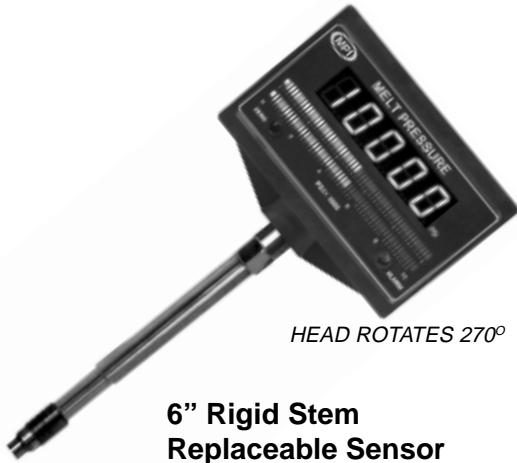


MG100 SERIES



6" Rigid Stem
Replaceable Sensor

FEATURES MG100/200

- * COMPLETE MELT PRESSURE + Alarm SYSTEM
- * Large 5-DIGIT DIGITAL Display (0.8"High)
- * ALARM RELAY (NO/NC 240VAC, 5A)
- * LED BAR GRAPHS
Process & Set Value
- * REPAIRABLE sensor
- * 90-260VAC Power
- * 6" Stem
- * 30" Flex Hose (MG200)
- * 1% combined error
- * 750°F (400°C) Rating
- * Ranges from
0-500 to 0-20,000psi
- * STANDARD DIAPHRAGM - INCONEL
- * PROCESS VALUE RETRANSMISSION (4-20mA)
- * ROTATEABLE DISPLAY (270°)
- * STANDARD THREAD (1/2-20UNF)

MG200 SERIES



6" Rigid Stem + 30" Flex
Replaceable Sensor

OPTIONS MG100/200

- * RETRANSMISSION OPTIONS :
0-5VDC 0-10VDC 0-20mA
- * 12" STEM
- * 60" Flex Hose (MG200)
- * OPTIONAL DIAPHRAGMS
Hastelloy Titanium Nitride
Extra Long Life TRIPLE WEAR TIP
- * OPTIONAL THREADS (M18x1.5)
- * MERCURY FREE
- * OPTIONAL POWER 12-24VDC

MGX SERIES



6" Rigid Stem + 30" Flex
Thermocouple J
Replaceable Sensors

FEATURES MGX

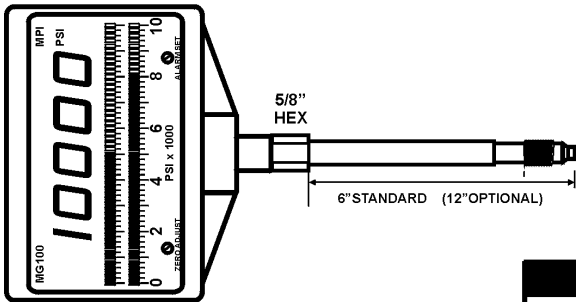
- * same as MG200 Plus
- * Thermocouple J
Field replaceable

OPTIONS MGX

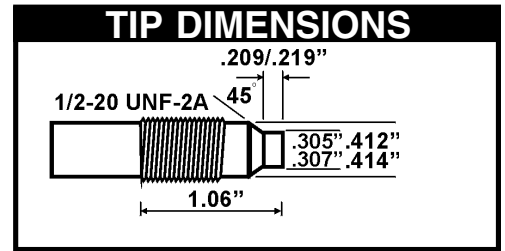
- * same as MG200 Plus
- * Temperature Sensors
Thermocouple K
Pt100 RTD sensor

MELT PRESSURE

ALARM GAUGES

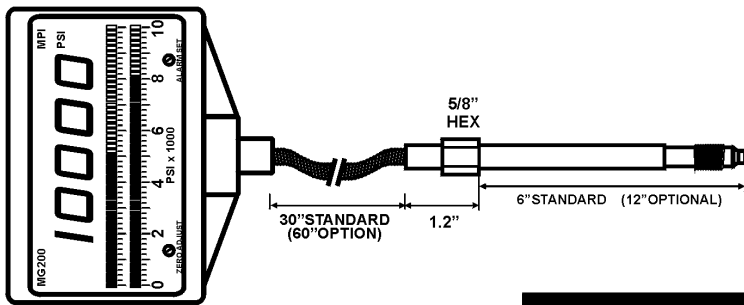


HEAD ROTATES 270°



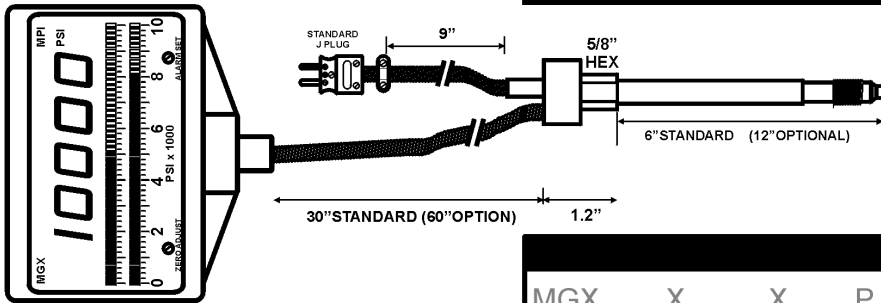
MODEL CODE - MG100

MG1	X	P	XX	X	X	X	X	
00	- 6" Stem	5	M	- Psi x 1000	S	- 90 - 260VAC	DIAPHRAGM	RETRANS
10	- 12" Stem	10	B	- BAR x 100	D	- 10-32VDC	S - STANDARD INCONEL	M - 4-20mA
		20					H - HASTELLOY	1 - 0-20mA
							3 - TRIPLE WEAR TIP	5 - 0-5VDC
								10- 0-10VDC



MODEL CODE - MG200

MG2	X	X	P	XX	X	X	X	X		
0	- 6" Stem	0	- 30" Flex	5	M	- Psi x 1000	S	- 90 - 260VAC	DIAPHRAGM	RETRANS
1	- 12" Stem	1	- 60" Flex	10	B	- BAR x 100	D	- 10-32VDC	S - STANDARD INCONEL	M - 4-20mA
				20					H - HASTELLOY	1 - 0-20mA
									3 - TRIPLE WEAR TIP	5 - 0-5VDC
										10- 0-10VDC



MODEL CODE - MGX

MGX	X	X	P	XX	X	X	X	X				
J	- T/C	0	- 6" Stem	0	- 30" Flex	5	M	- Psi x 1000	S	- 90 - 260VAC	DIAPHRAGM	RETRANS
K	- T/C	1	- 12" Stem	1	- 60" Flex	10	B	- BAR x 100	D	- 10-32VDC	S - STANDARD INCONEL	M - 4-20mA
P	- Pt100					20					H - HASTELLOY	1 - 0-20mA
											3 - TRIPLE WEAR TIP	5 - 0-5VDC
												10- 0-10VDC

SPECIFICATIONS

MECHANICAL

RANGES
0-500, 750, 1000, 1500, 3000, 5000,
7500, 10000, 15000, 20000psi

MAX ERROR
+/-1% Of Full Scale

REPEATABILITY
+/-0.2% Of Full Scale

OVERLOAD CAPABILITY
2x Full Scale

MOUNTING TORQUE
150 inch-lbsMIN 500 inch-lbsMAX

TEMPERATURE EFFECTS

MAXIMUM DIAPHRAGM TEMP
750° F (400° C)

ZERO SHIFT of DIAPHRAGM
15psi / 100° F

MAXIMUM HOUSING TEMP
750° F (400° C)

ZERO SHIFT of ELECTRONICS
1% / 100° F

ELECTRICAL

MEASURING SENSOR
Wheatstone Bridge
Strain Gauge

ELEMENT RESISTANCE
+/-1% Of Full Scale

INTERNAL SHUNT CALIBRATION
+/-0.2% Of Full Scale

ZERO BALANCE
+/-5% FULL SCALE

OUTPUT 4-20mA, 2 WIRE

OUTPUT 0-20mA

OUTPUT 0-5VDC

OUTPUT 0-10VDC