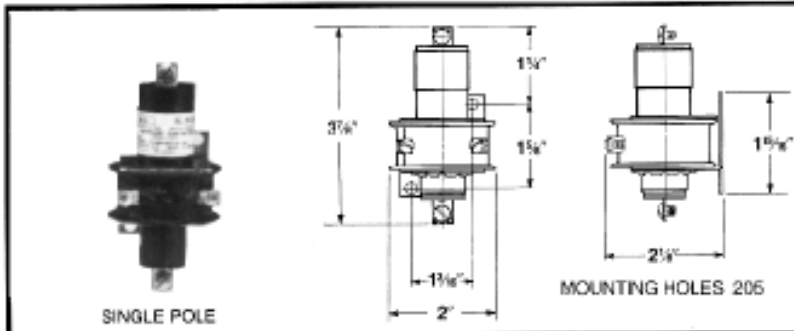


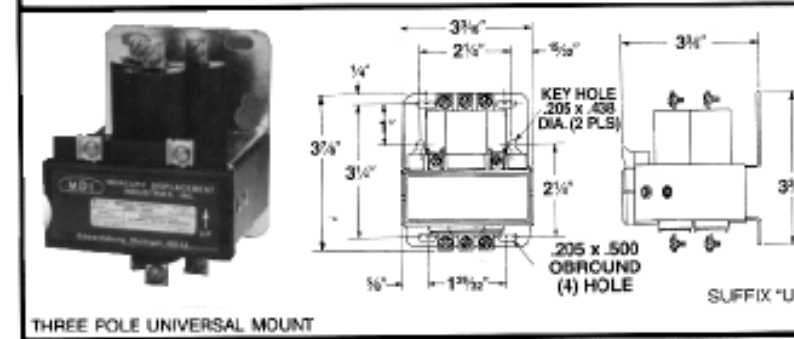
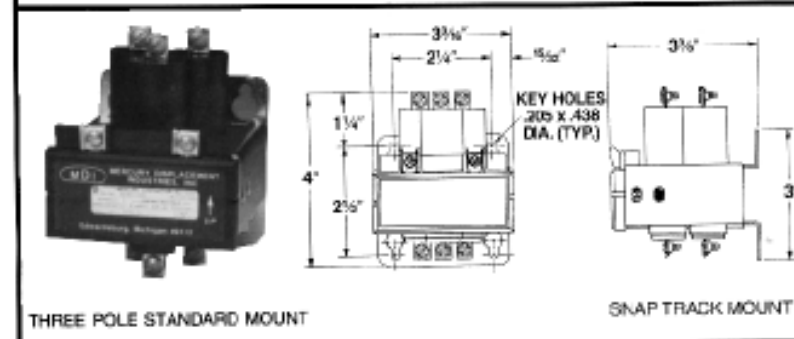
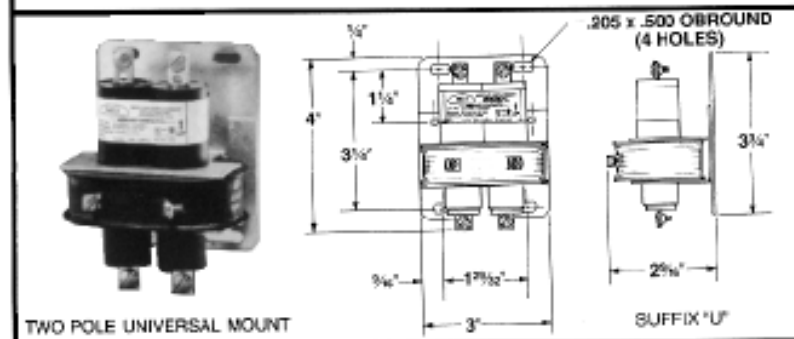
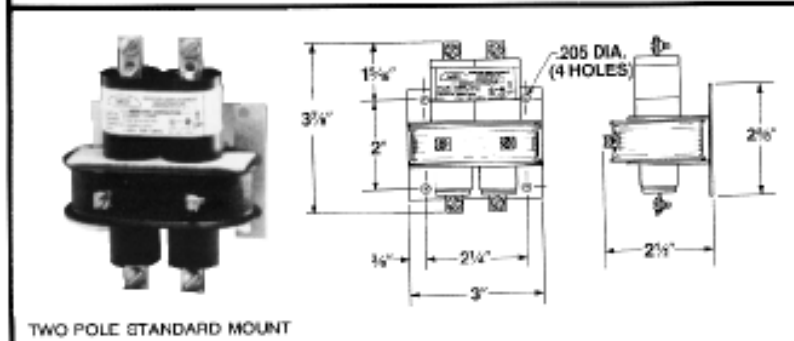
30-AMP NORMALLY OPEN CONTACTORS

GENERAL INFORMATION



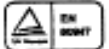
The 30 Amp model is designed to save space and simplify mounting methods. The standard mounting bracket on the three pole model allows the unit to be mounted in standard 3" snap track channel. If you do not use snap track mounting, the standard three pole bracket has key hole slots for easy mounting in any panel arrangement. The universal three pole mounting bracket has various mounting holes and key hole slots to meet a variety of mounting centers.

The 30 Amp series is a more compact line with a well proven switch which is the heart of mercury relays. It is the same switch design that is in our 35 and 60 Amp encapsulated MDR's, which have withstood the test of time and millions of cycles in many different applications.



TYPICAL SPECIFICATIONS

- ON NORMALLY OPEN UNITS:
OPERATE TIME: 50 milliseconds
RELEASE TIME: 80 milliseconds
- CONTACT RESISTANCE:
30-AMP = .003 ohm *
- DIELECTRIC WITHSTAND:
2500 VAC RMS
- LONGEVITY:
MILLIONS OF CYCLES
- TEMPERATURE RANGE:
-35°C TO 85°C
- COIL TERMINALS:
#6 BINDING HEAD SCREWS
- LOAD TERMINALS:
#8 BINDING HEAD SCREWS
- UL LISTING: FILE #E62767
- C.S.A.: FILE #LR41198
- TO ORDER SEE PAGE 4



* AFTER CYCLING UNDER LOAD.

COIL DATA

CATALOG NO.	RES. (OHMS)	CURRENT (MA)	VA	WATTS
30NO-24D	213	113	2.7	2.7
230NO-24D	92	260	6.3	6.3
330NO-24D	110	217	5.2	5.2
30NO-24A	55	216	5.2	2.6
230NO-24A	15	580	13.9	4.9
330NO-24A	7.8	815	19.6	5.0
30NO-120A	725	65	7.8	3.1
230NO-120A	367	115	13.8	4.9
330NO-120A	215	140	16.8	4.2
30NO-220A	3360	28	6.6	2.3
230NO-220A	1550	53	11.7	4.4
330NO-220A	768	66	14.5	3.9