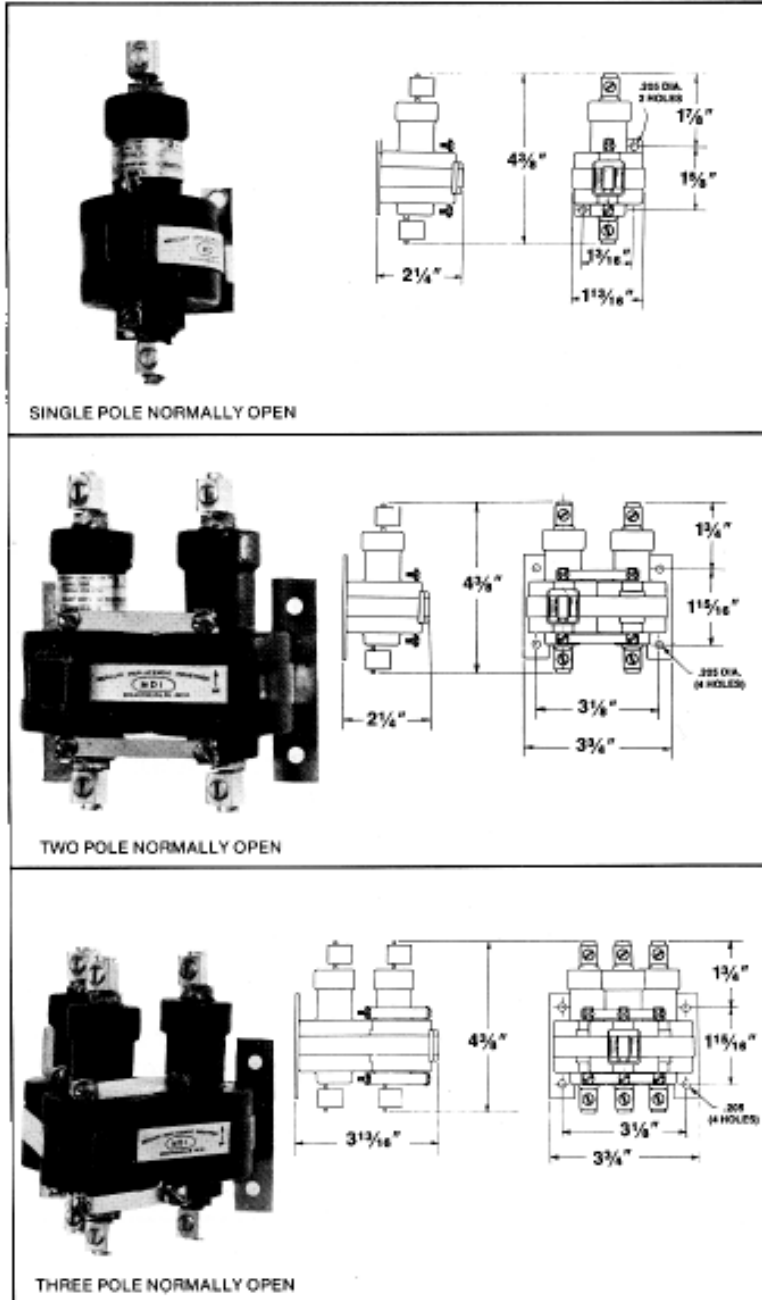


35 / 60-AMP NORMALLY OPEN CONTACTORS

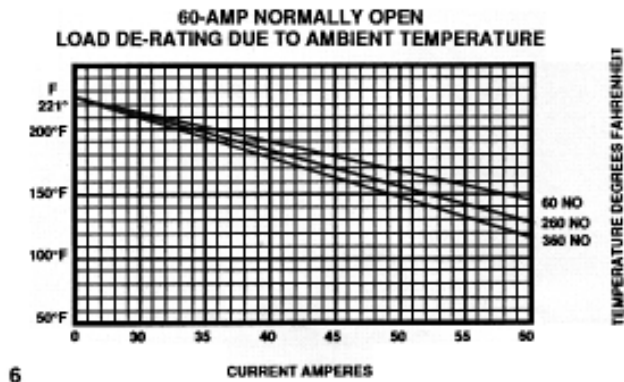
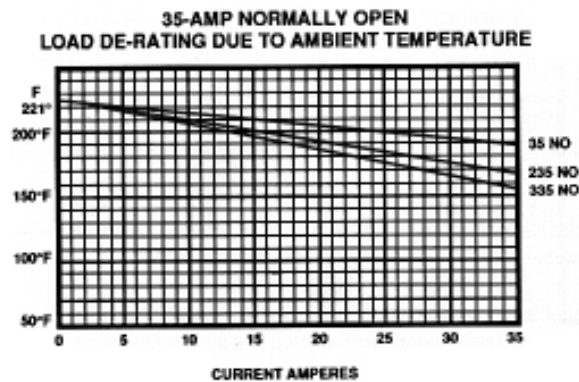
TYPICAL SPECIFICATIONS

- ON NORMALLY OPEN UNITS:
OPERATE TIME: 50 milliseconds
RELEASE TIME: 80 milliseconds
- ON NORMALLY CLOSED UNITS:
OPERATE TIME: 30 milliseconds
RELEASE TIME: 35 milliseconds
- CONTACT RESISTANCE:
35-AMP = .003 ohm*
60-AMP = .002 ohm*
- DIELECTRIC WITHSTAND:
2500VAC RMS
- LONGEVITY:
MILLIONS OF CYCLES
- TEMPERATURE RANGE:
-35°C TO 85°C
- COIL TERMINALS:
#6 BINDING HEAD SCREWS
- LOAD TERMINALS:
PRESSURE CONNECTORS
FOR A.W.G. #4-#14 ON 35-AMP
UNITS AND A.W.G. #2-#8 ON
60-AMP UNITS
- RATINGS:
SEE PAGE 10 FOR CONTACTS
SEE PAGE 11 FOR COIL DATA
- UL LISTING: FILE #E62767 FOR
35 AND 60-AMP N.O. UNITS
1-4 POLES
- C.S.A.: FILE #LR41198 FOR
35 AND 60-AMP N.O. UNITS
(HEATER LOADS) 1-3 POLES
- TO ORDER SEE PAGE 4
- AUXILIARY DEVICES FOR USE IN
HAZARDOUS LOCATIONS.
UL FILE #E71867 N.O. UNITS
APPROVED FOR CLASS 1, GROUPS
A, B, C AND D, DIVISION 2 ONLY.
TO ORDER FOR HAZARDOUS LOCA-
TIONS ADD THE SUFFIX -X TO
PART NUMBER



STANDARD MOUNTING SHOWN SEE PAGE 12 FOR OPTIONS.

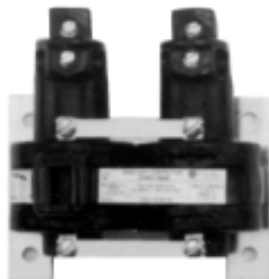
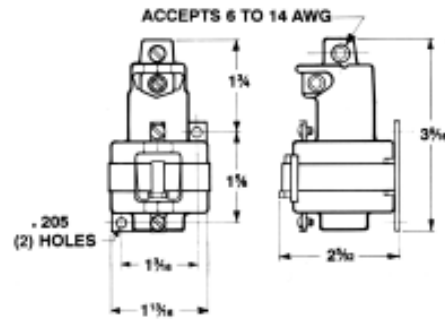
* AFTER CYCLING UNDER LOAD.



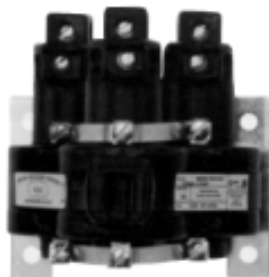
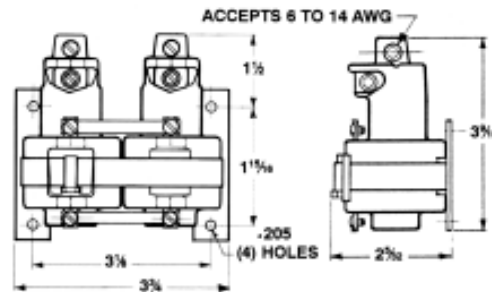
35-AMP T-TOP CONTACTORS



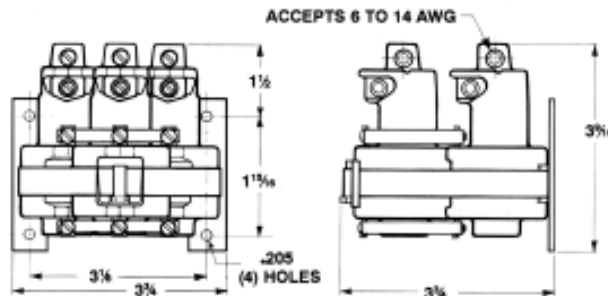
SINGLE POLE — NORMALLY OPEN



TWO POLE — NORMALLY OPEN



THREE POLE — NORMALLY OPEN



FILE # E-62767

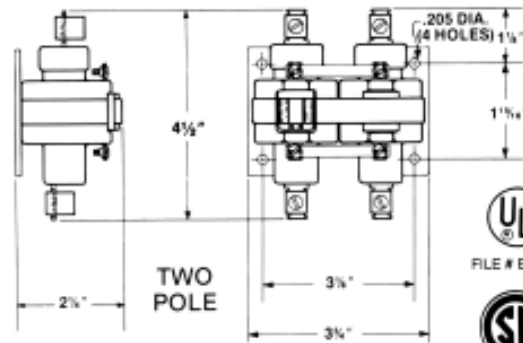
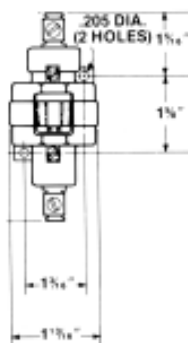
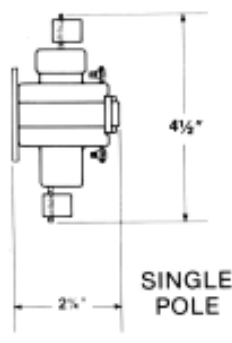


FILE # LR-41198



35/60-AMP NORMALLY CLOSED CONTACTORS

SIMILAR CONSTRUCTION AS THE NORMALLY OPEN UNITS BUT WITH THE COIL POSITIONED CLOSER TO THE TOP OF THE CONTACTOR AND A NORMALLY CLOSED CONTACTOR IN PLACE OF A NORMALLY OPEN CONTACTOR. ALSO AVAILABLE IN THREE AND FOUR POLE UNITS.



FILE # E-62767



FILE # LR-41198