

72x72mm LED TIMER/COUNTER

SPECIFICATIONS

NUMBER OF DIGITS

Six

NUMBER OF CONTROL PRESETS

One or Two

COUNT INPUT SCALING

0.00001

COUNT SPEED

Programmable; 30, 1000, 2000, 5000 cps

COUNT MODES

- Count Up With Inhibit
- Count Down With Inhibit
- Quadrature Up/Down
- Count With Direction
- Separate Up/Down Inputs

COUNTER DECIMAL POINT

Any Position When Scaling

COUNT OUTPUT MODES

- Latch Until Reset - Hold Count (N)
- Latch Until Reset - Keep Counting (F)
- Auto Recycle at Start of One Shot Output (C)
- Auto Recycle at End of One Shot Output-Hold Count (R)
- One Shot Output - Keep Counting Until Reset (K)
- Latch Until Next Count Input (P)
- Auto Recycle at End of One Shot Output-Keep Counting (Q)
- One Shot Output-Hold Count Until Reset (A)

ONE SHOT COUNT OUTPUT TIMES

Programmable - 10ms, 50ms, 100ms, 200ms, 500ms, 1s, 2s, 5s

COUNT OUTPUT MODES

- Latch Until Reset (N,F,A)
- Latch Until Output 2 complete(C,R,K,P,Q)
- One Shot at 500ms (all)

COUNT/RESET INPUTS

External Contact, PNP Sourcing Transistor

RESET OPTIONS

Front Panel Key, External Contact

RESET TIME

0.02 Sec. Min.

POWER SUPPLY FOR SENSORS

12Vdc, 50mA Max.

OUTPUTS

- 1 Preset: 1 Relay, SPDT; 1 Transistor
- 2 Preset: 2 Relays SPST; 2 Transistors
- Relays: 2A @240Vac Resistive
- Transistors: NPN 30Vdc @ 100mA Max.

MEMORY

Lithium Battery

OPERATING POWER

85-264Vac, 50/60 Hz.

POWER CONSUMPTION

5VA

SETTING METHOD

Front Panel Keypad for All Functions

FRONT PANEL DISPLAYS/INDICATORS

LED Indicators



The GX7 Count Controls are very versatile and full featured to allow solving most single level and two level counter application problems. The dual LED digital displays allow monitoring progress of the process while also showing the setpoint. Features of the GX7 are built-in count scaling, relay and transistor outputs, 10 count modes, 8 output modes and universal input power of 85 to 264Vac.

MOUNTING

Front Panel

TERMINATION

Built-In Screw Terminals

OPERATING TEMPERATURE

-10 to +55 Degrees C

HUMIDITY

35% to 85% RH

APPROVALS

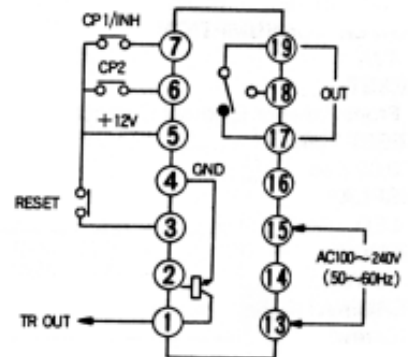
UL, C-UL, CE Recognized



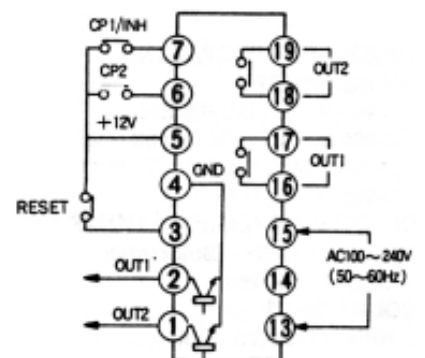
- One or Two Preset Count/Controls
- Input Scaling
- 72 x 72mm Front Panel
- 2 Amp Relay and Transistor Outputs
- 50mA Sensor Power Available
- 10 Count Input Modes
- LED Preset Display
- 8 Count Output Modes
- LED Count Display
- Economically Priced
- Can Function As A Counter or Timer Control
- UL, C-UL, CE Recognized

WIRING

ONE COUNT LEVEL



TWO COUNT LEVELS



ORDERING INFORMATION

Model Number	Control Presets	Outputs
GX7-P61E	1	1 Relay SPDT, 1 Transistor
GX7-P62E	2	2 Relays SPST, 2 Transistors